

AXOR Uno
Single-Hole Faucet Select 110, 1.2 GPM
 Finishes : Part no. : **45012001**



Features

- Spray modes: Laminar spray
- Flow: 1.2 GPM (4.5 L/Min)
- Select cartridge for easy, intuitive operation: Push handle to turn water on and off, and turn to adjust temperature
- Does not include: Pop-up assembly

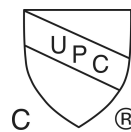
Item details

List Price \$ 634.00

Technology



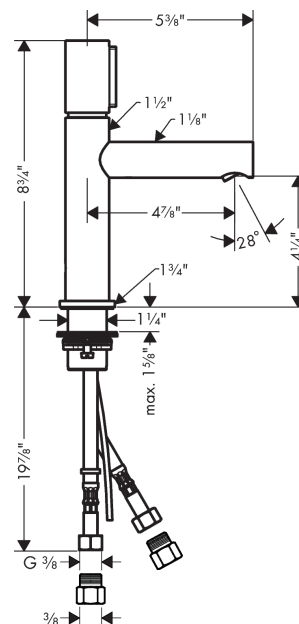
Compliance



Product image



Scale drawing

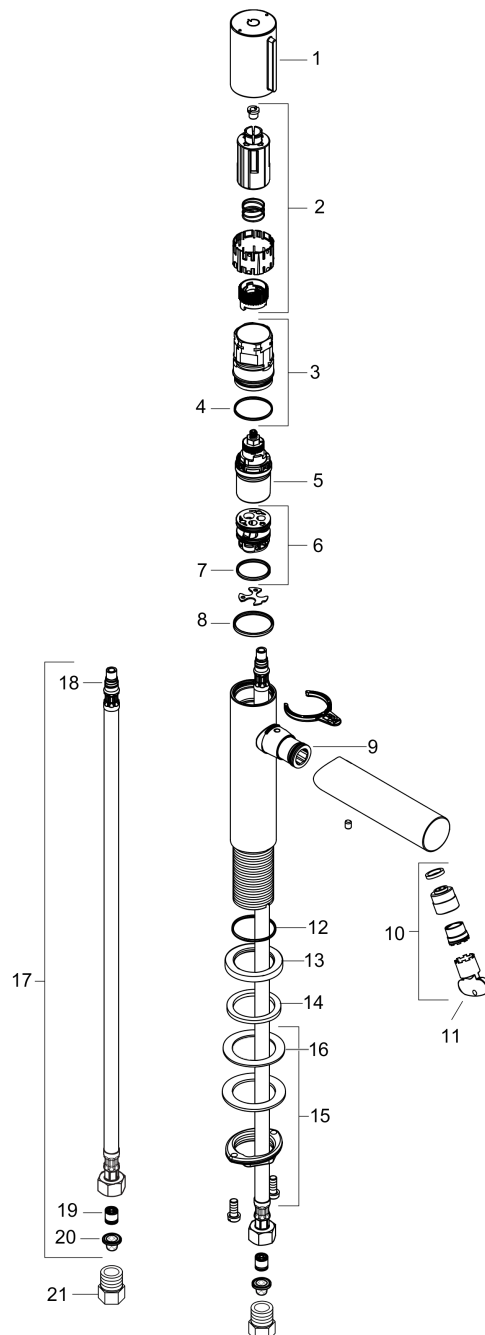


AXOR Uno
Single-Hole Faucet Select 110, 1.2 GPM
 Finishes : Part no. : **45012001**



Exploded drawing

Year of production: >04/20



AXOR Uno
Single-Hole Faucet Select 110, 1.2 GPM
 Finishes : Part no. : **45012001**



Spare parts list

Year of production: >04/20

Pos.		Part no.	Price	PU
1	handle	92897000	-	1
2	adapter for handle	92526000	-	1
3	nut	92528000	-	1
4	O-ring 27x1,5	92527000	-	1
5	cartridge, assy	92529000	-	1
6	adapter for cartridge	98866000	-	1
7	O-ring 23x2	98398000	-	1
8	O-Ring 28x2	98194000	-	1
9	O-ring 16x2	98133000	-	1
10	aerator laminar M16,5x1 (4,5 l/min)	92876000	-	1
11	special tool	98987000	-	1
12	O-ring 30x1,5	98433000	-	1
13	escutcheon Ø 46 mm	95268000	-	1
14	flat seal	98749000	-	1
15	fixing set (Ø 32)	13961000	-	1
16	lever collar	97548000	-	1
17	connection hose 600 mm M8x0,75 G3/8	95664000	-	1
18	O-ring 7x1,5	98422000	-	1
19	non return valve DW 10	96456000	-	1
20	filter packing	95291000	-	1
21	adapter for connection hose	88802000	-	1